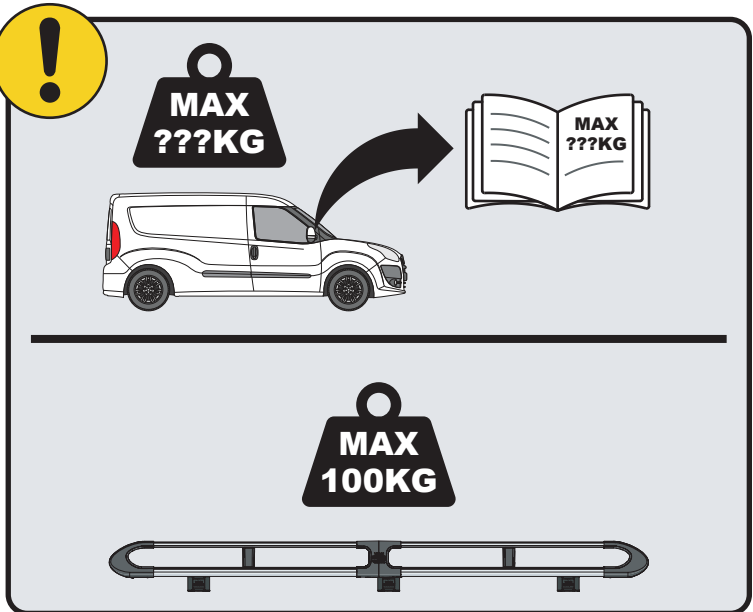
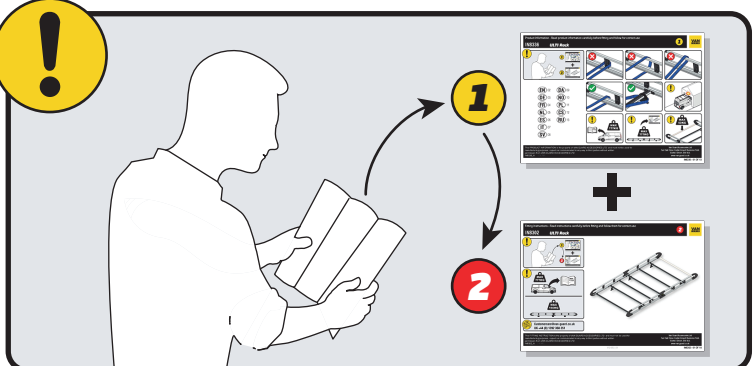


IN8314

ULTI Rack+



 Customercare@van-guard.co.uk
UK +44 (0) 1392 368 351

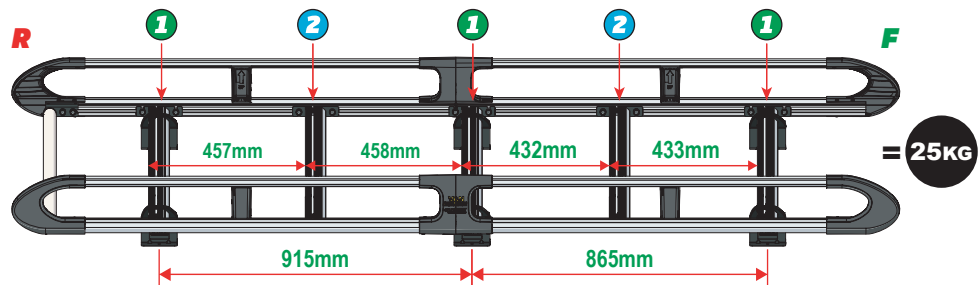
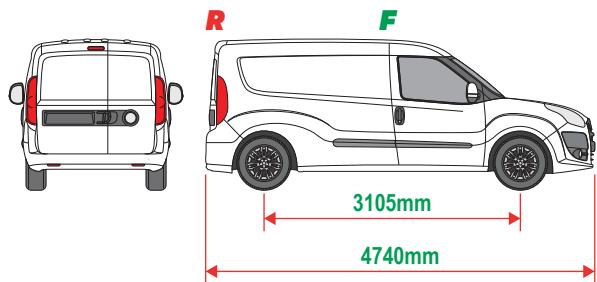


This FITTING INSTRUCTION is the property of VAN GUARD ACCESSORIES LTD. and must not be used for manufacturing purposes, copied nor communicated in any way to third parties without written permission from VAN GUARD ACCESSORIES LTD.
IN8314_B (CN:00356)

Van Guard Accessories Ltd
Fair Oak Close, Exeter Airport Business Park,
Exeter, Devon, EX5 2UL
www.van-guard.co.uk

VGUR-243

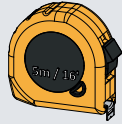
Fiat Doblo: 2010 on
Vauxhall Combo 2012-2018
L2H1 (MAXI)
Twin Rear Doors



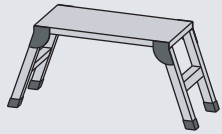
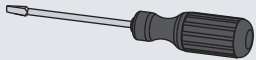
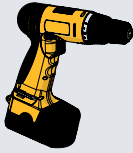
SUPPLIED COMPONENTS - CHECK ALL PARTS ARE PRESENT AND CORRECT BEFORE PROCEEDING (1 OF 2)

TOOLS REQUIRED

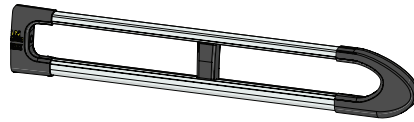
10MM X1



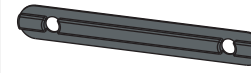
13MM X1



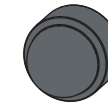
AS3535 X2
(2400 / A)



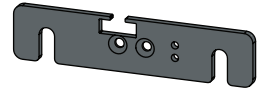
MA6118 X10



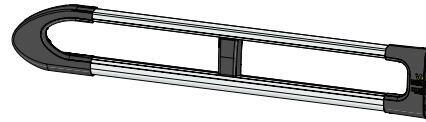
FX4241 X24



ME1622 X2



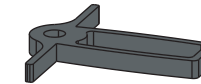
AS3534 X2
(2400 / B)



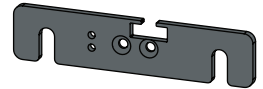
FX4008 X1



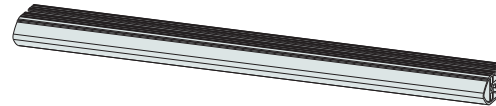
MA6145 X1



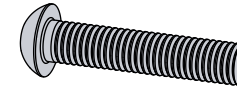
ME1623 X2



ME1626 X5
(1264mm)



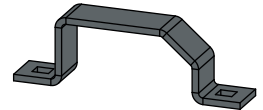
FX4001 X2
(M8X40)



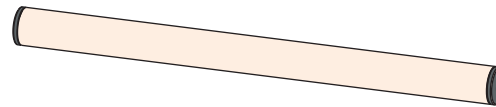
FX4235 X20
(M5X25)



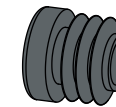
ME0203 X6



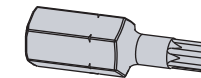
AS3158 X1
(1250mm)



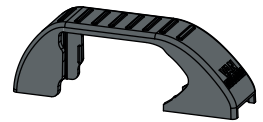
MA6007 X4



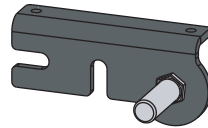
FX4248 X1
(T25)



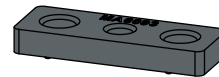
MA6065 X6



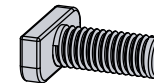
AS3590 X1



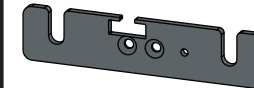
MA6093 X10



FX4239 X24
(M8X20)



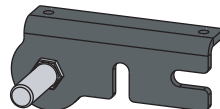
ME1620 X3



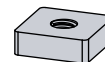
FX4016 X12
(M6)



AS3591 X1



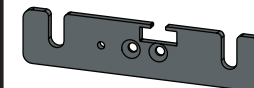
ME0316 X10



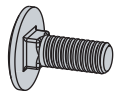
FX4240 X24
(M8)



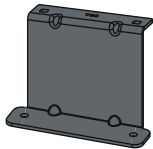
ME1621 X3



FX4042 X12
(M6X16)



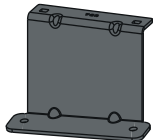
ME0755 X1



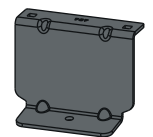
FX4014 X10



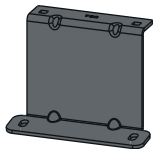
ME0756 X1



ME0757 X2



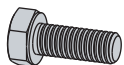
ME0758 X2



FX4010 X10
(M6)

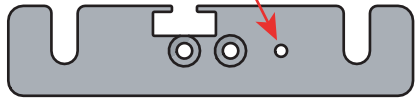


FX4012 X10
(M6X16)



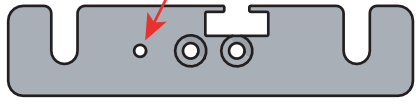
01

1L



X3

1R



X3

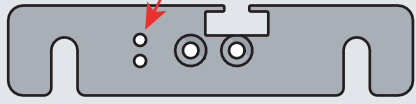


2L



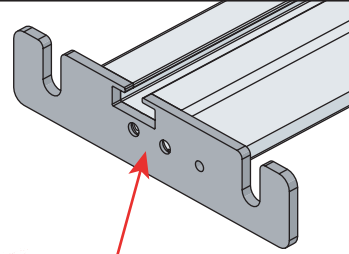
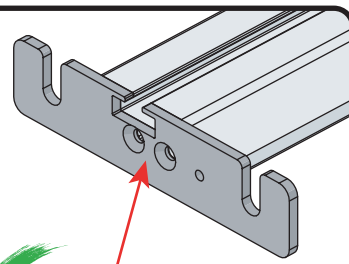
X2

2R



X2

02



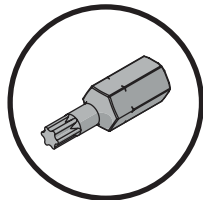
03

01

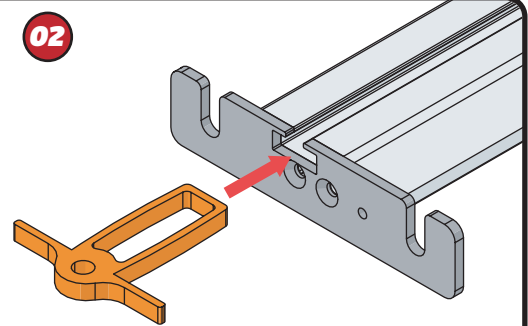
FX4248



+



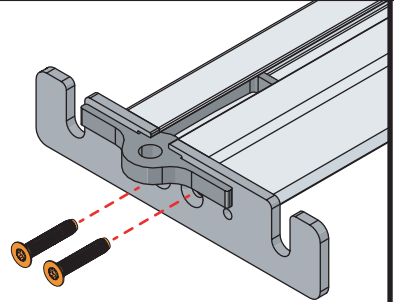
02



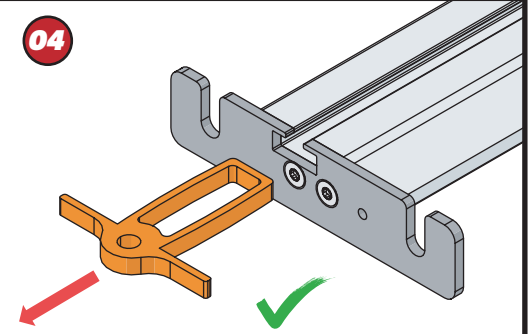
03



11Nm



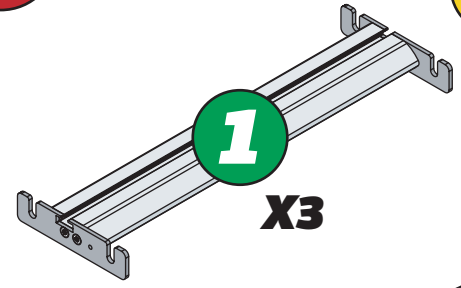
04



04

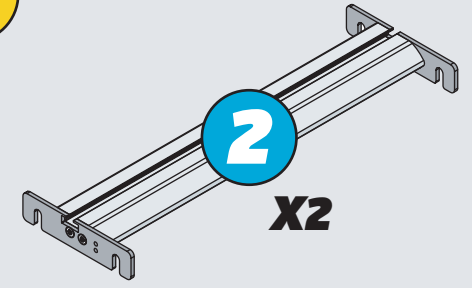


1

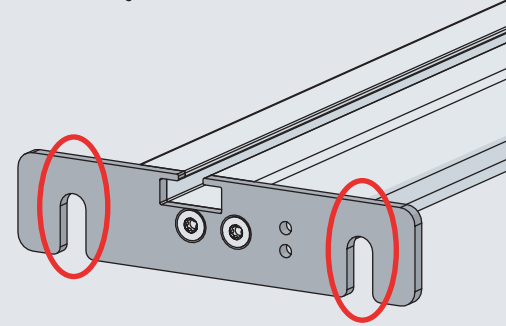
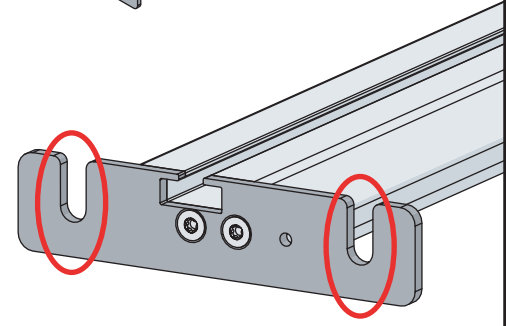


X3

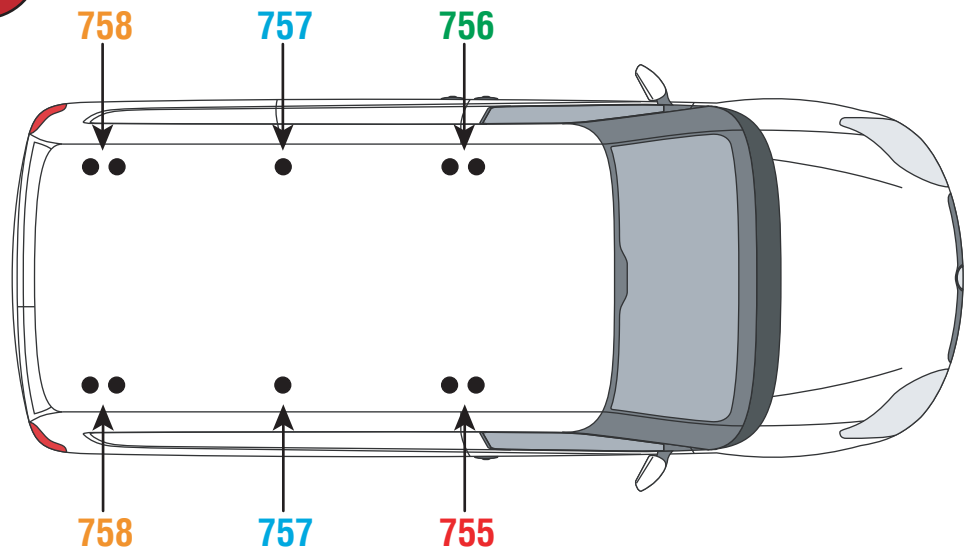
2



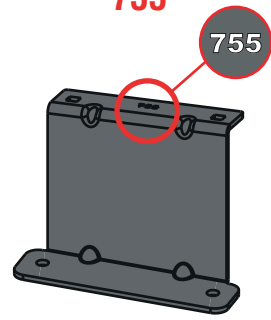
X2



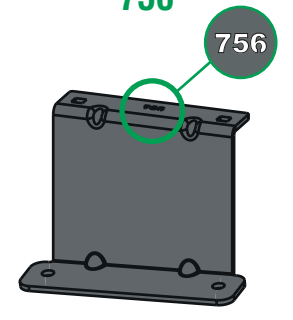
05



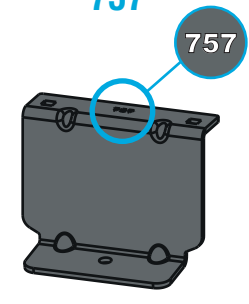
755



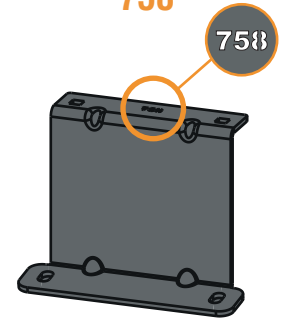
756



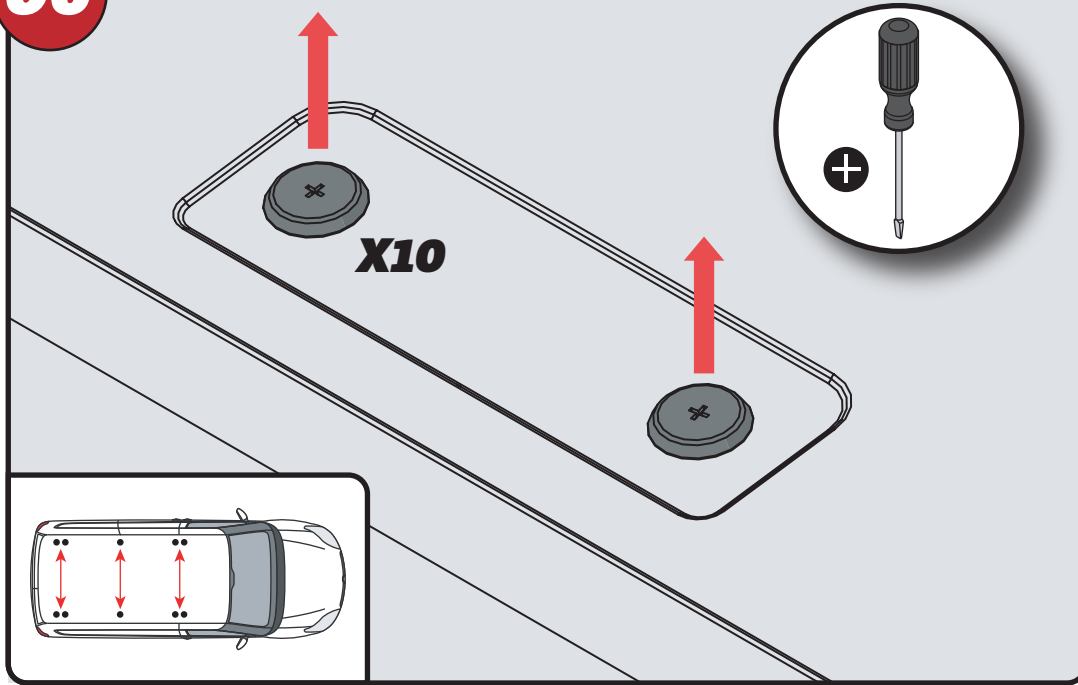
757



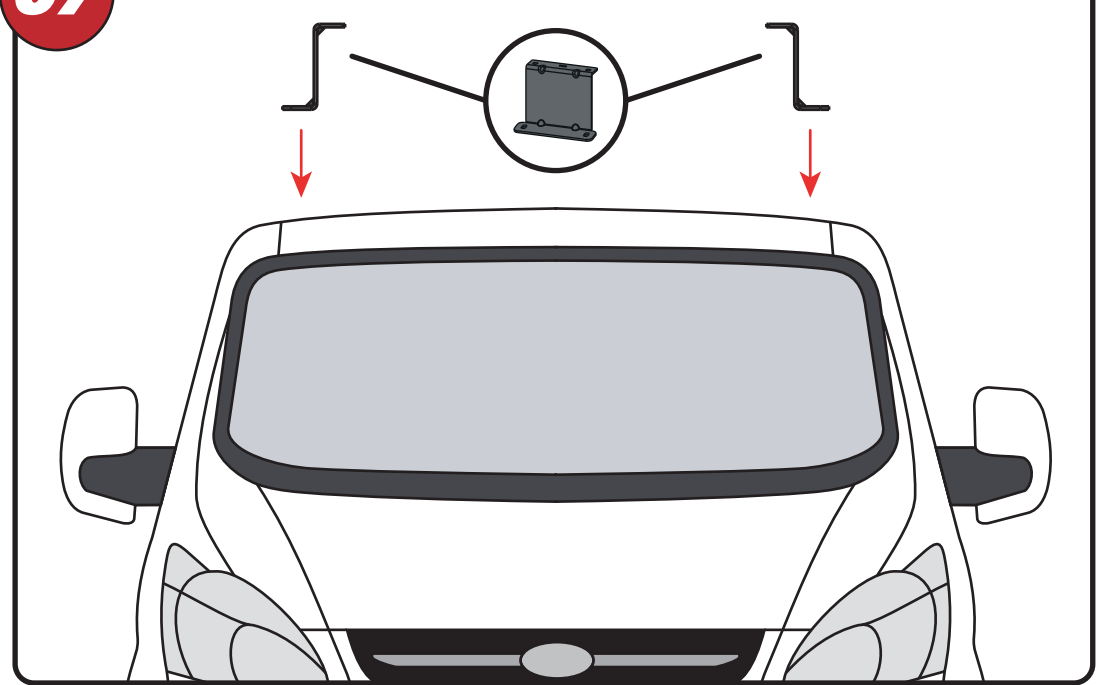
758

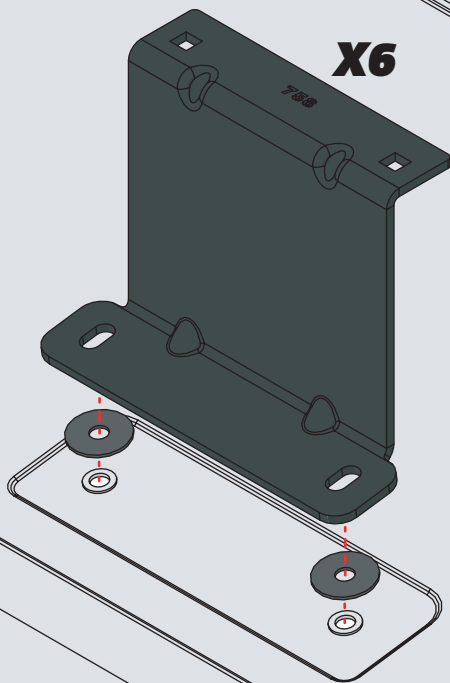
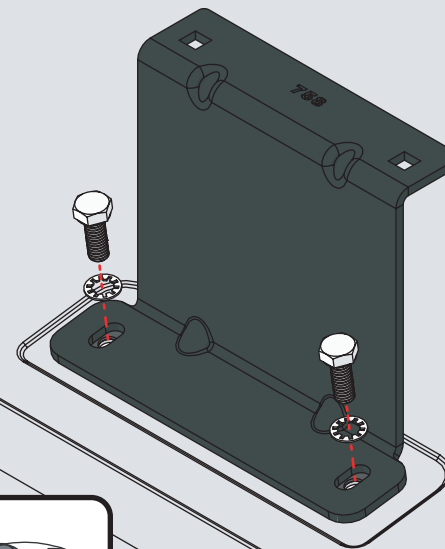
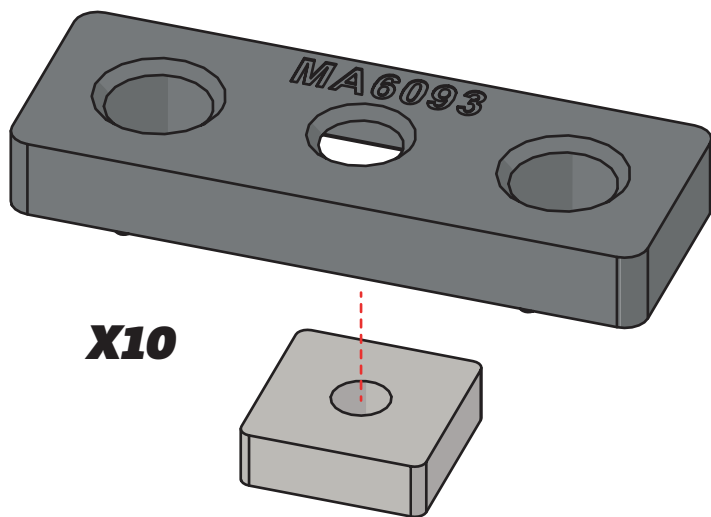
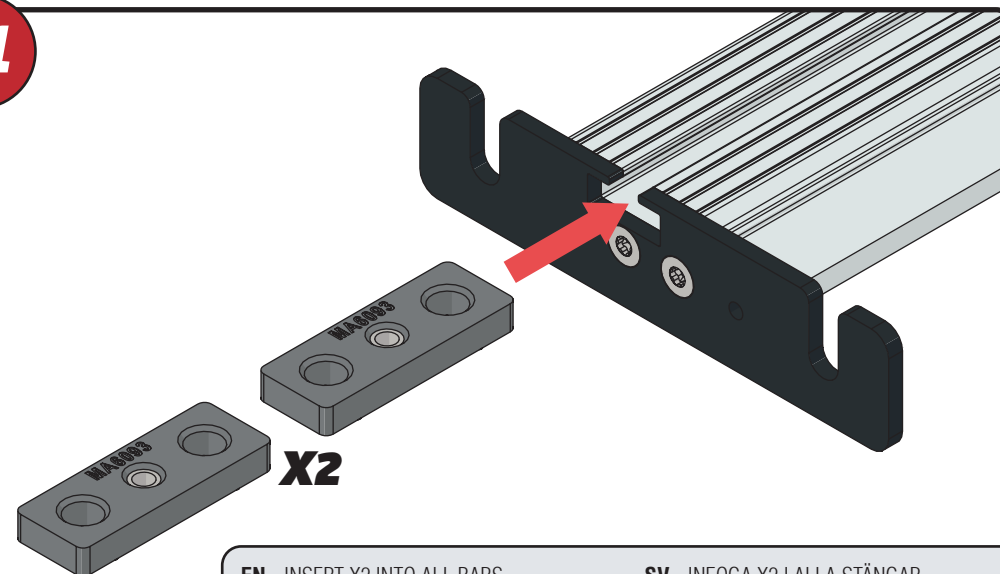


06



07

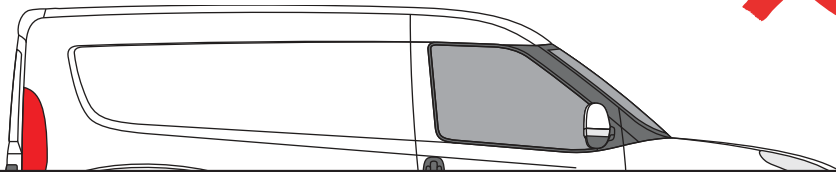
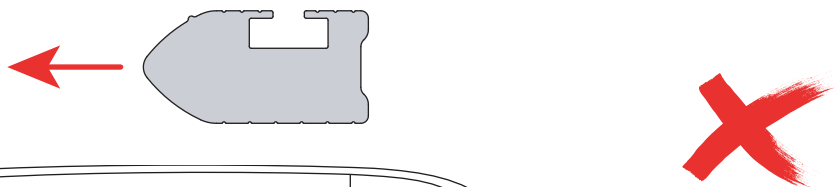
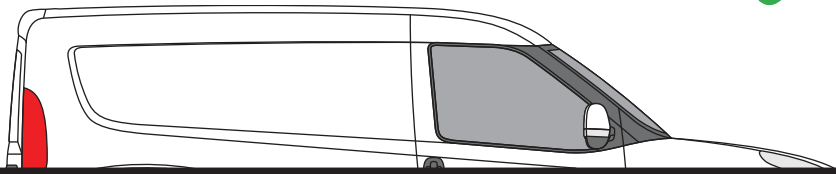
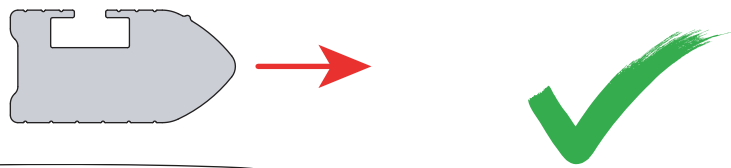


08**09****10****11**

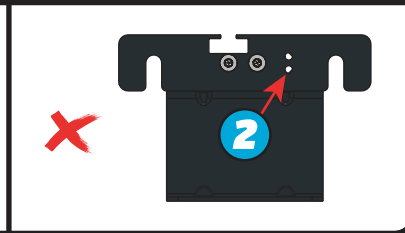
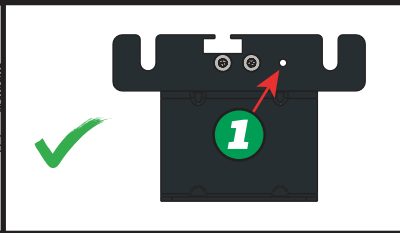
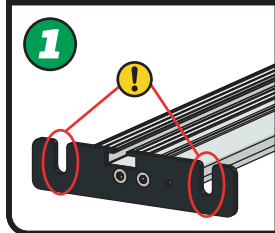
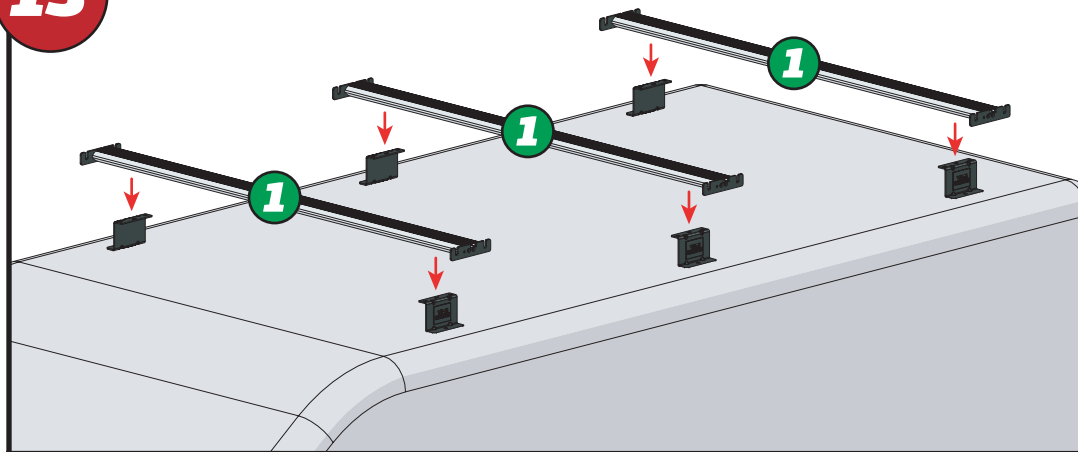
EN - INSERT X2 INTO ALL BARS
 DE - X2 IN ALLE STANGEN EINFÜGEN
 FR - INSÉRER X2 DANS TOUTES LES BARRES
 NL - PLAATS X2 IN ALLE BARS
 ES - INSERTAR X2 EN TODAS LAS BARRAS
 IT - INSERIRE X2 IN TUTTE LE BARRE

SV - INFOGA X2 I ALLA STÄNGAR
 DA - INDSÆT X2 I ALLE STÆNGER
 NO - SETT X2 INN I ALLE TAKSTENGER
 PL - WSTAW X2 DO WSZYSTKICH PRĘTÓW
 CS - VLOŽTE X2 DO VŠECH TYČÍ

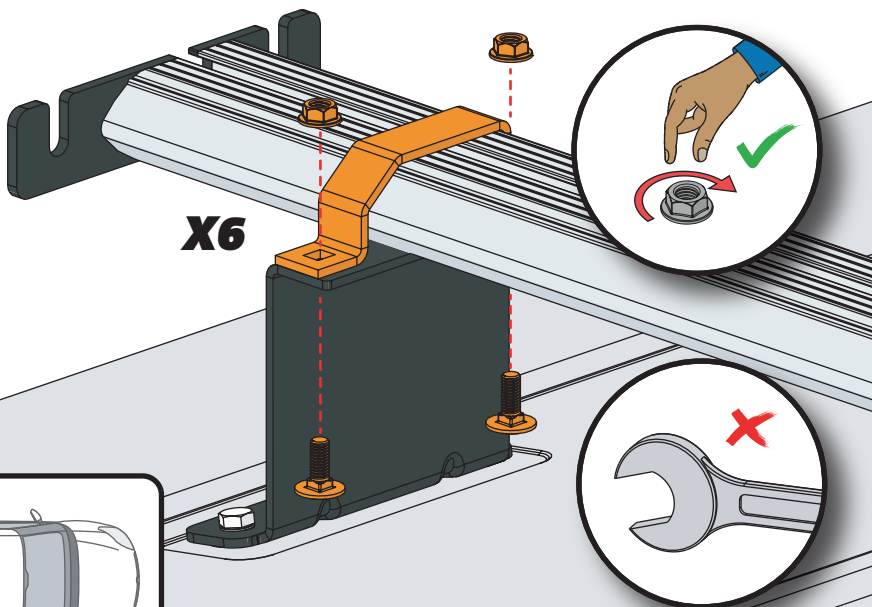
12



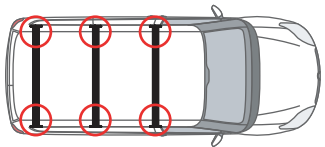
13



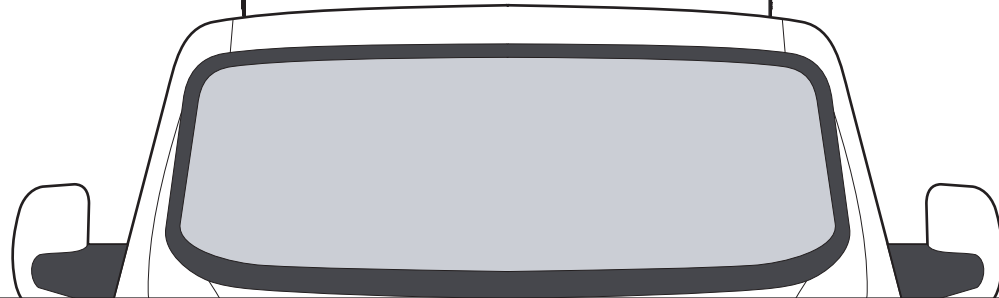
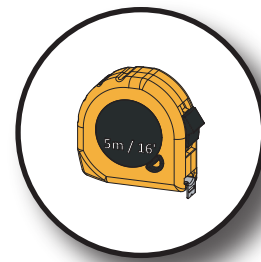
14



X6



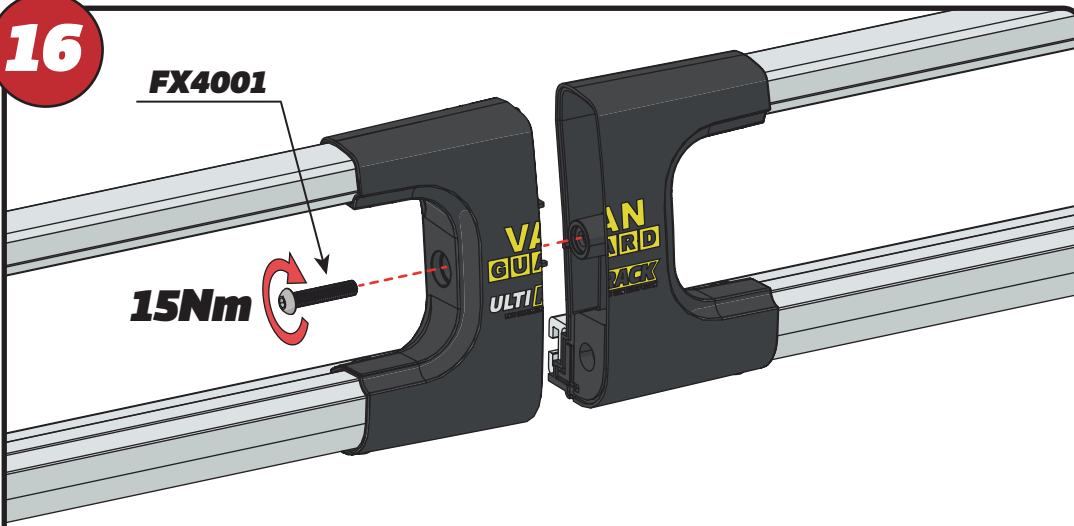
15



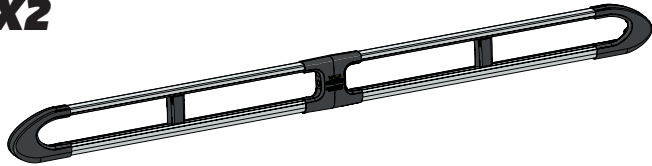
16

FX4001

15Nm



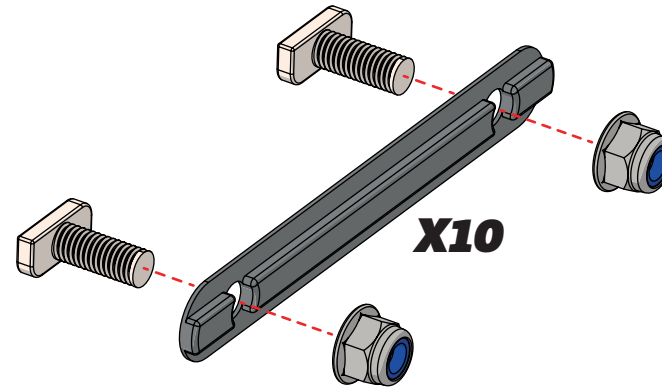
X2



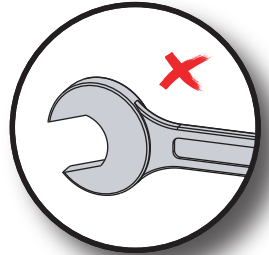
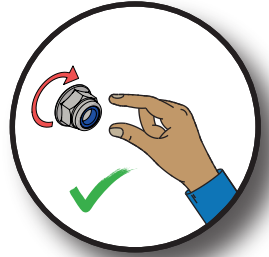
FX4008



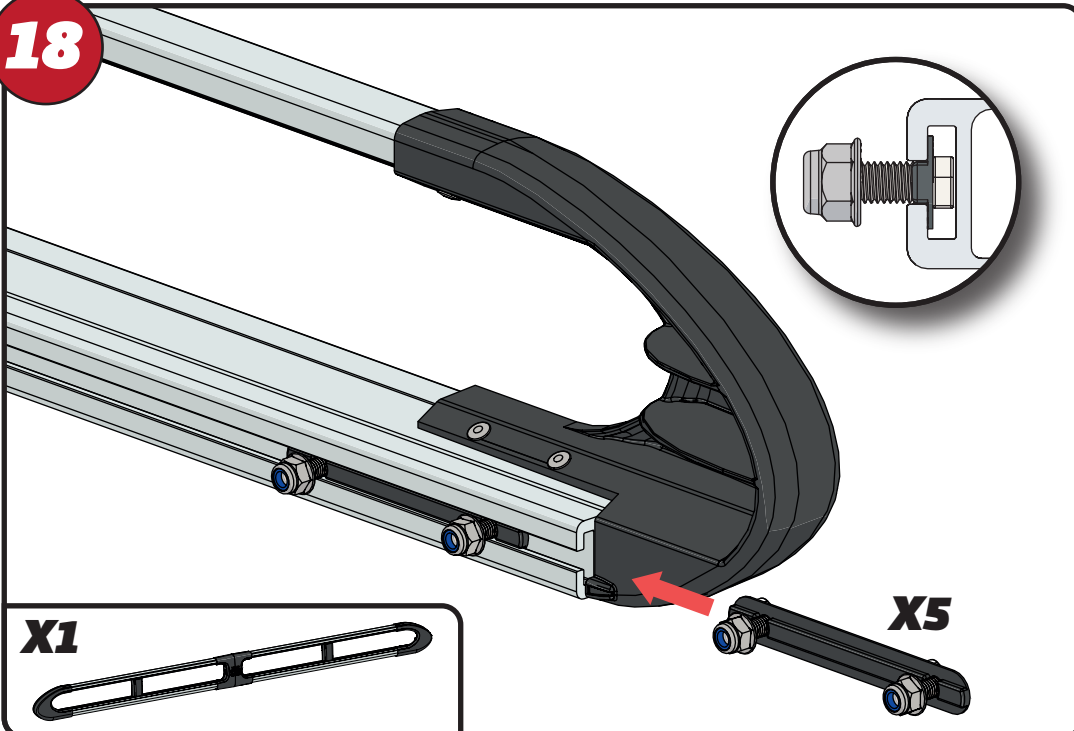
17



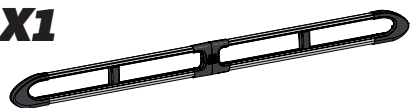
X10



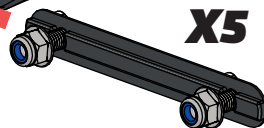
18



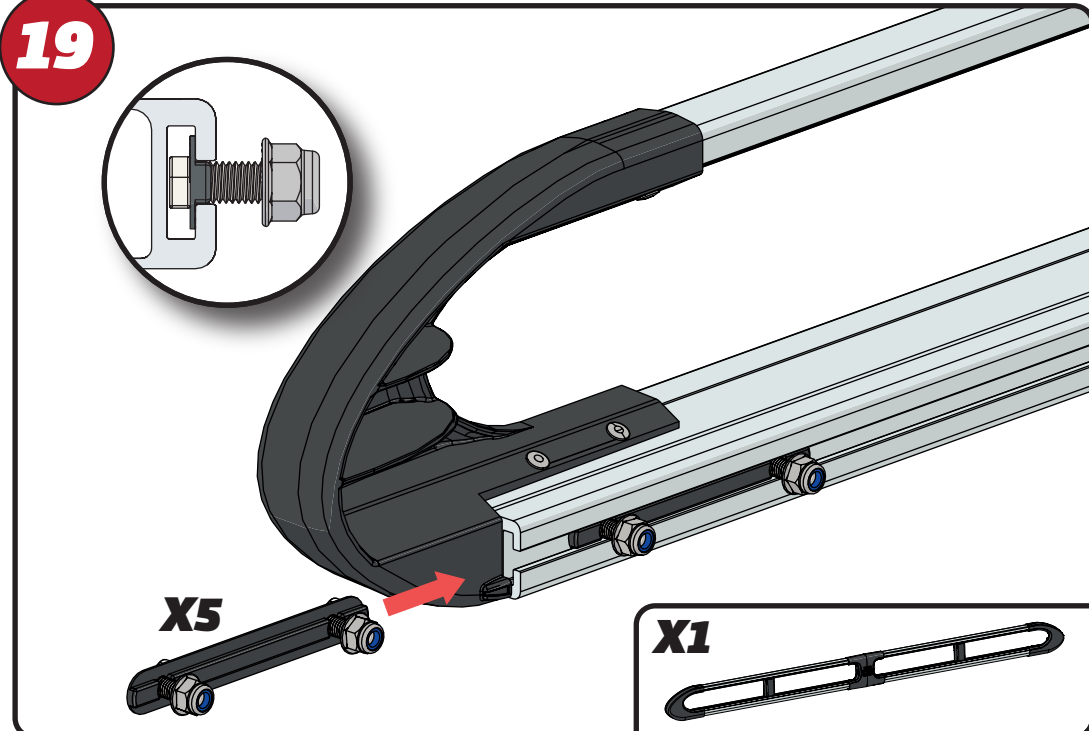
X1



X5



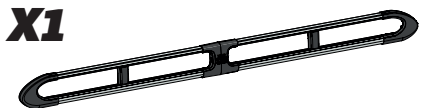
19



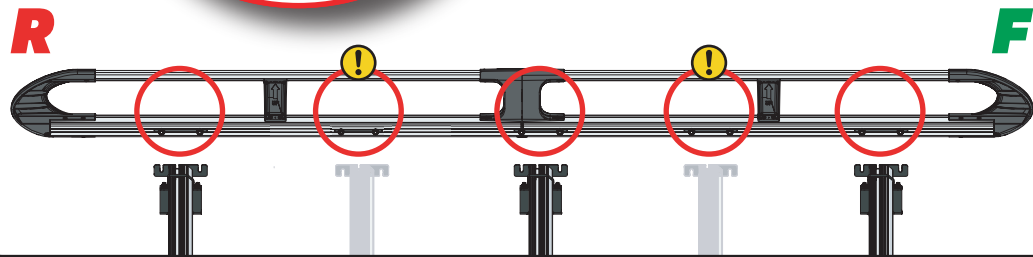
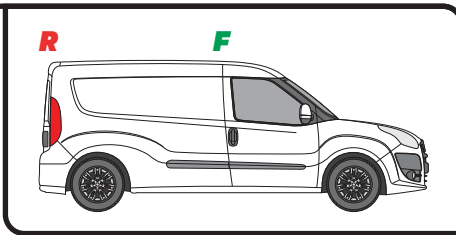
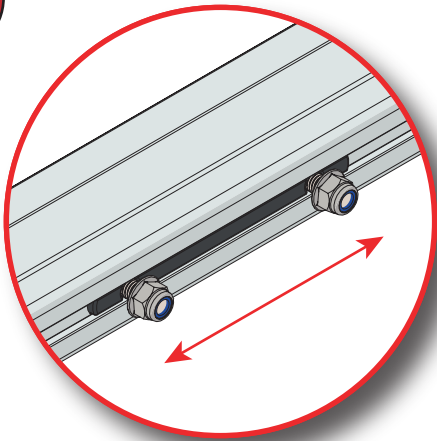
X5



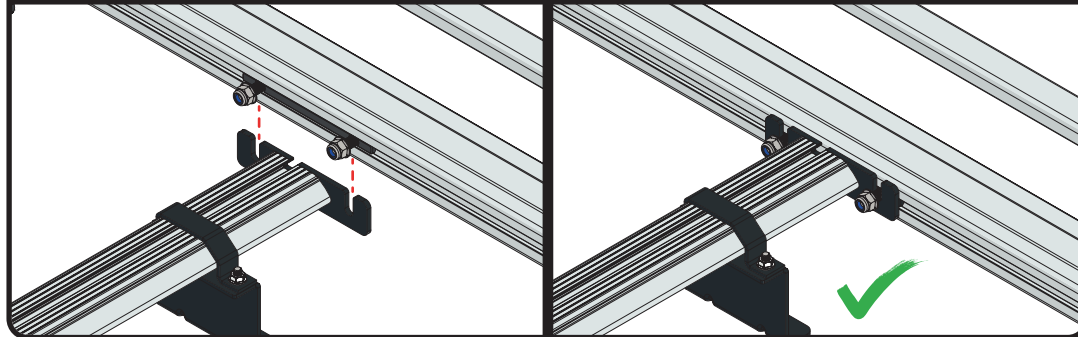
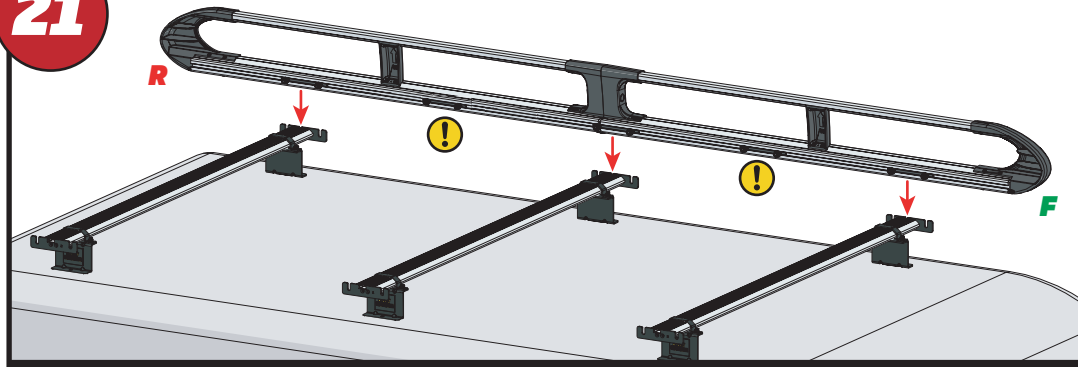
X1



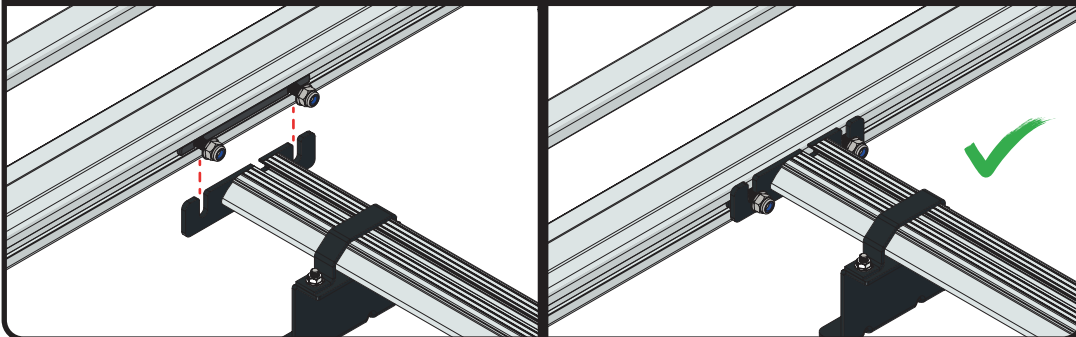
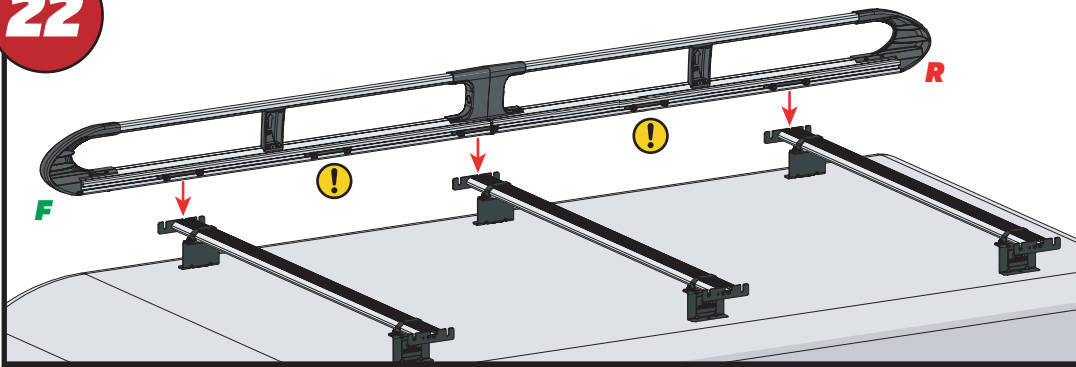
20



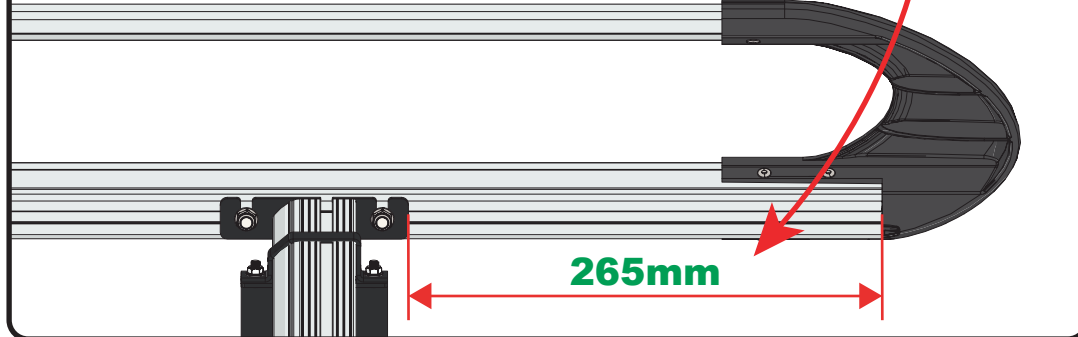
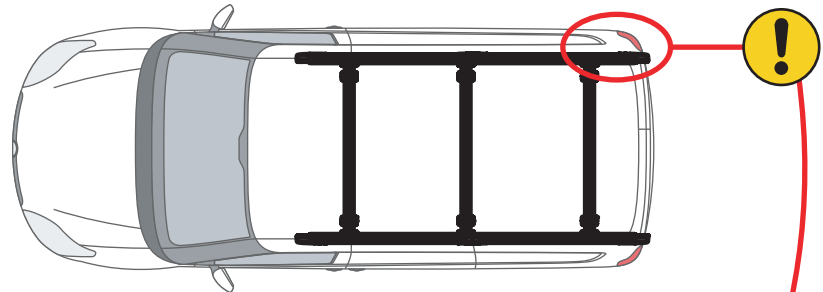
21

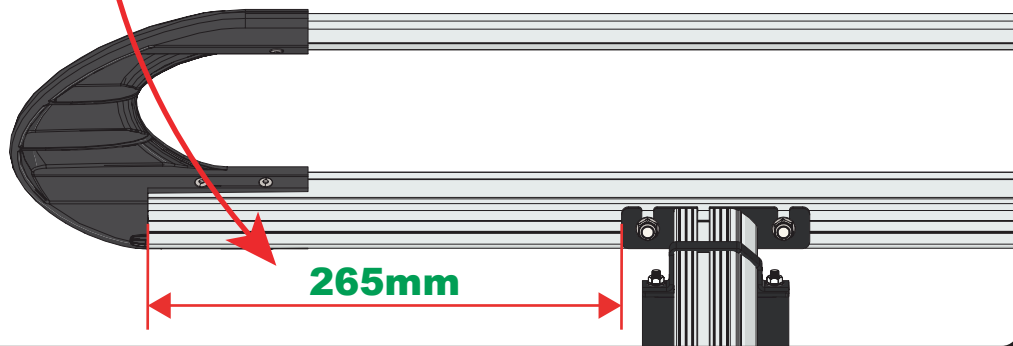
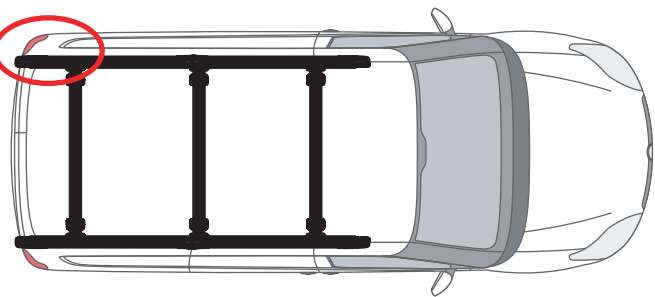
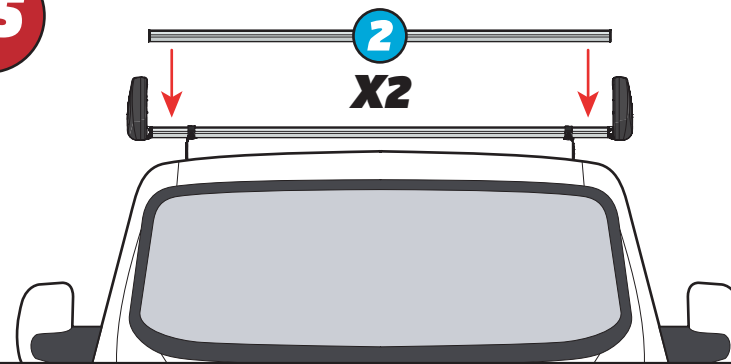
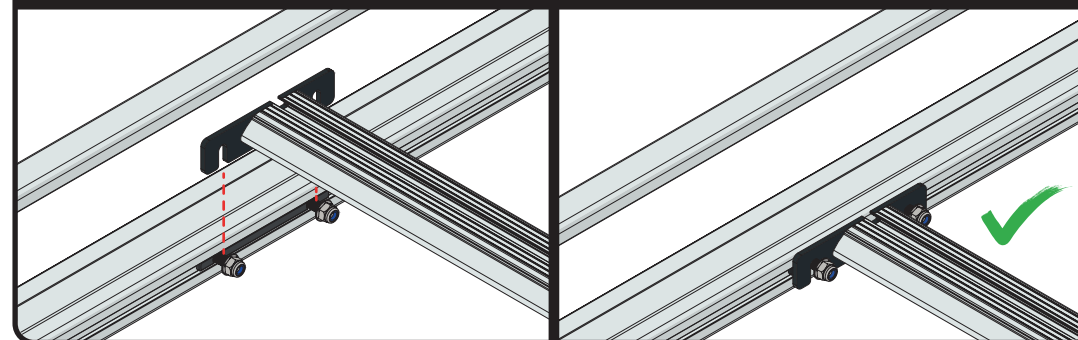
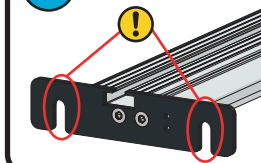
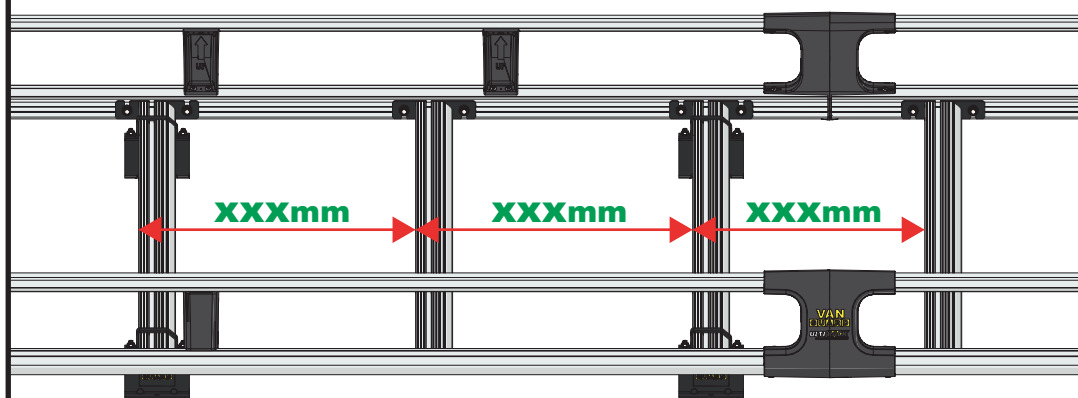
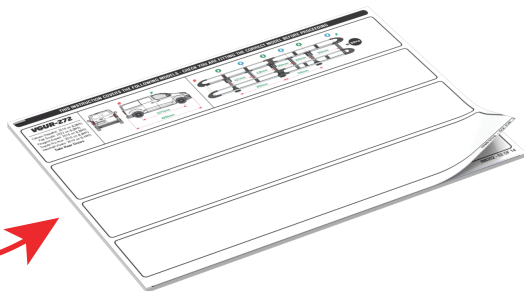
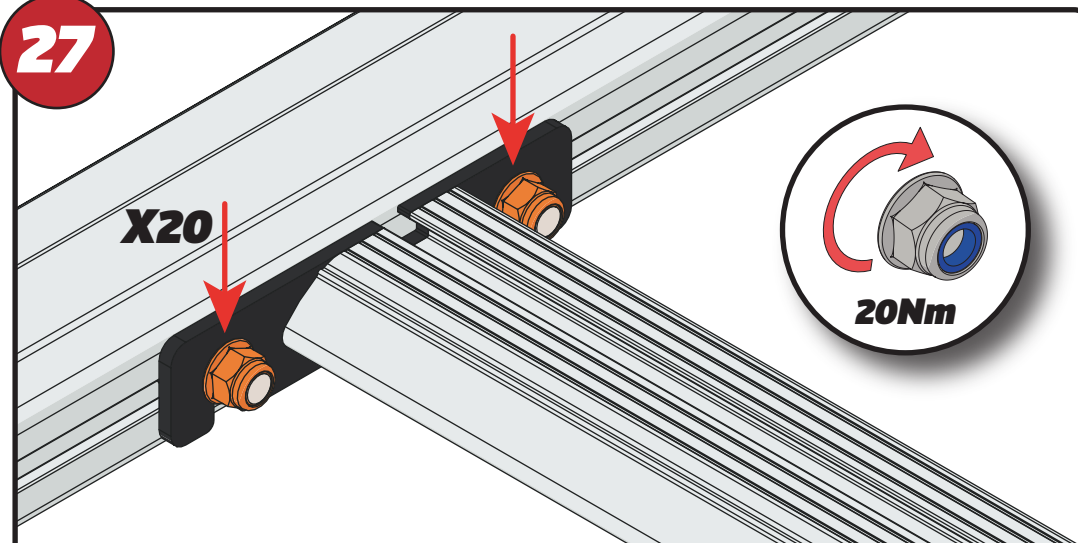


22



23

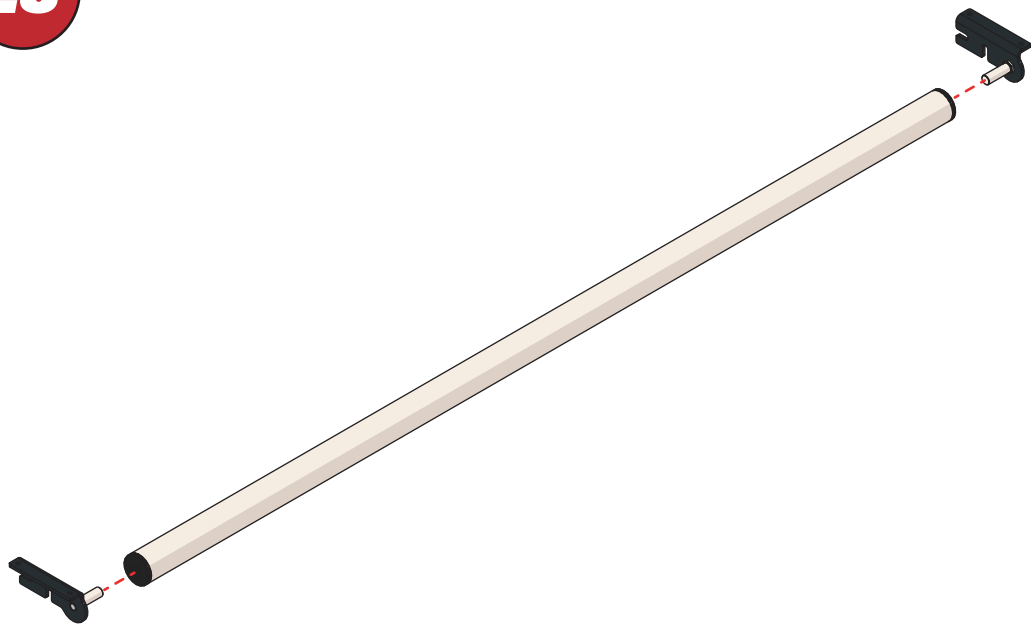


24**265mm****25****2****2****X2****26****XXX =
PAGE 2 OF 14****XXXmm****XXXmm****XXXmm****27****X20****20Nm**

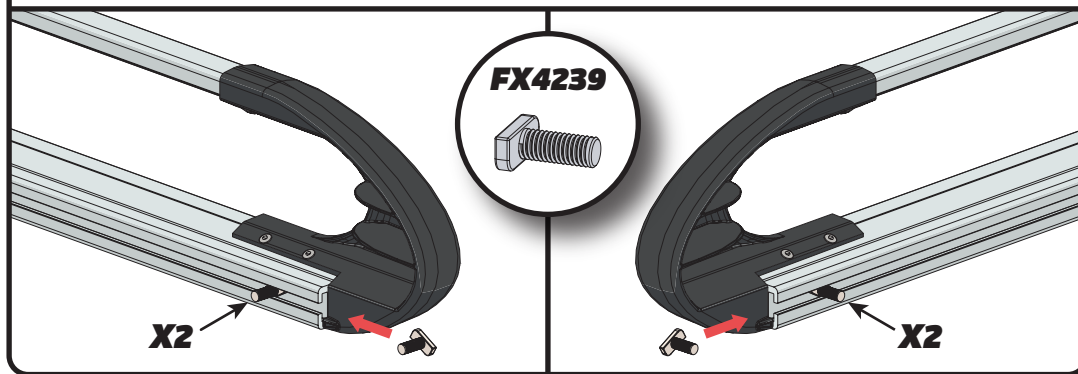
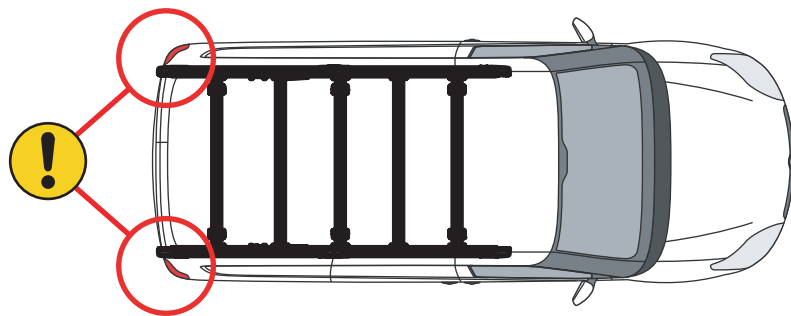
EN - TIGHTEN ALL OF THE CROSS BARS
 DE - ALLE QUERSTANGEN FESTZIEHEN
 FR - SERREZ TOUTES LES BARRES TRANSVERSALES
 NL - DRAAI ALLE DWARSBAKKEN AAN
 ES - APRIETE TODAS LAS BARRAS TRANSVERSALES
 IT - STRINGERE TUTTE LE BARRE TRASVERSALI

SV - SPÅÅ ALLA KORSSTANGAR
 DA - STRÆM ALLE Tværstængerne
 NO - STREM ALLE TVERRSTENENE
 PL - DOKRĘCIĆ WSZYSTKIE POPRZECZKI
 CS - UTAHUJTE VŠECHNY PŘÍČNÉ TYČE

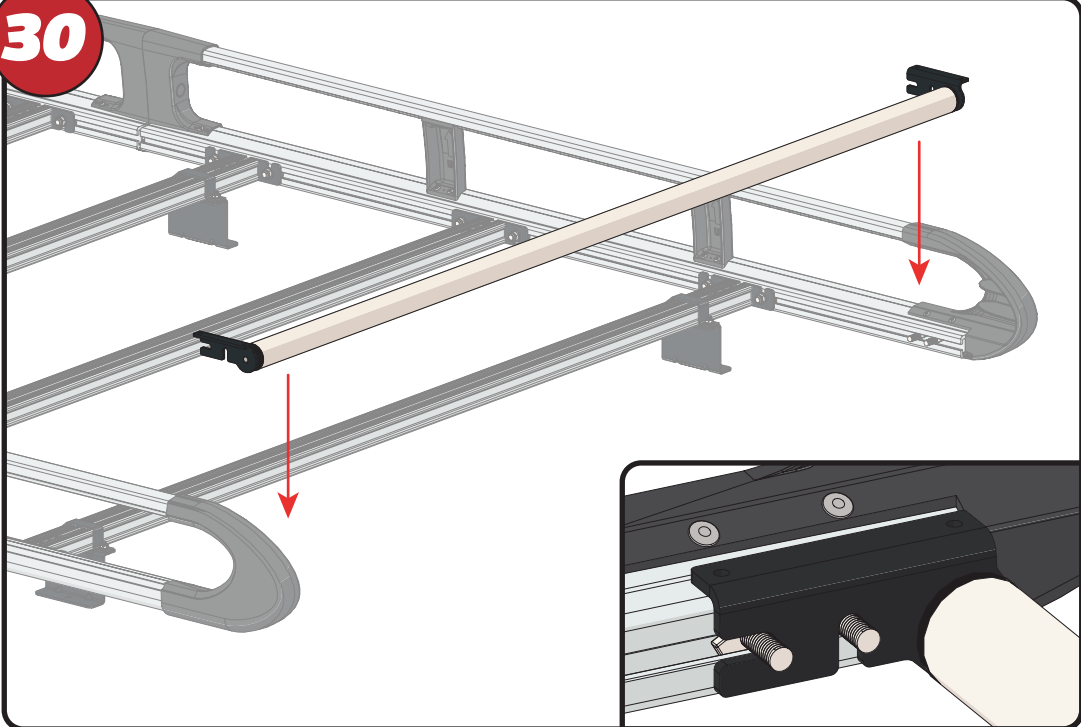
28



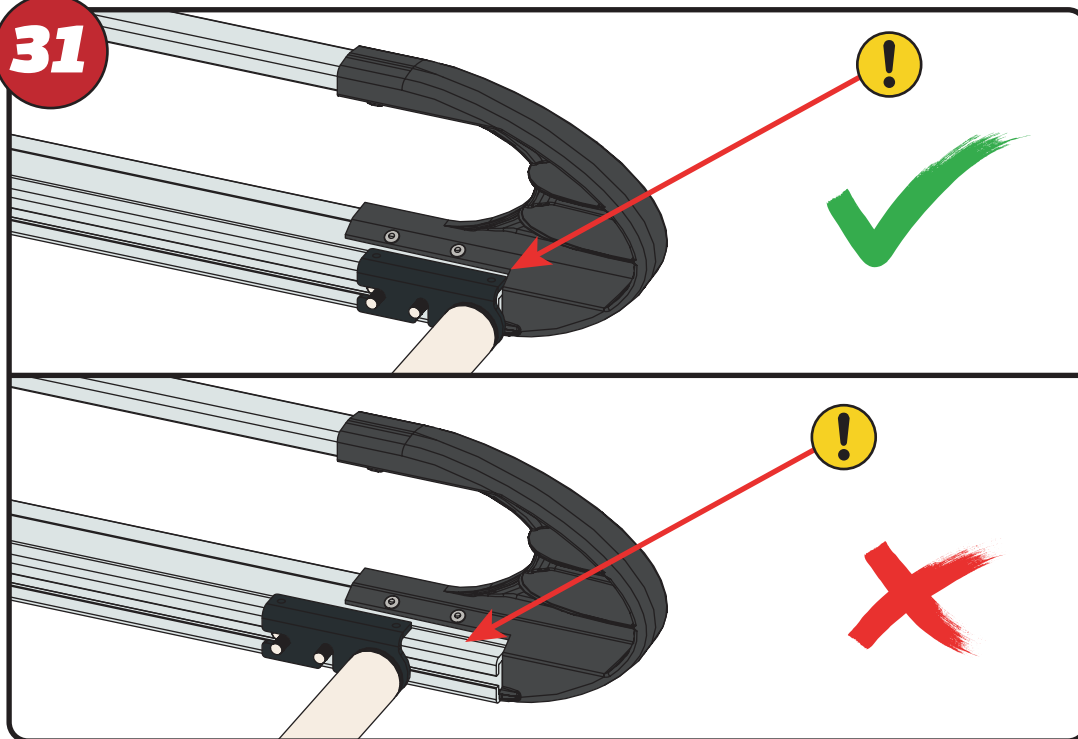
29



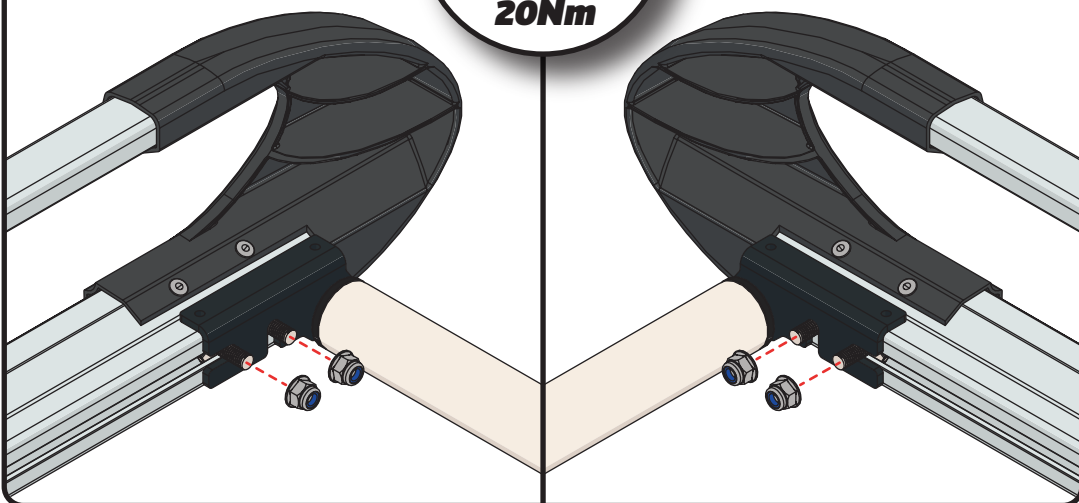
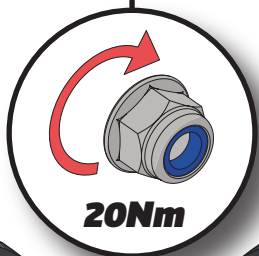
30



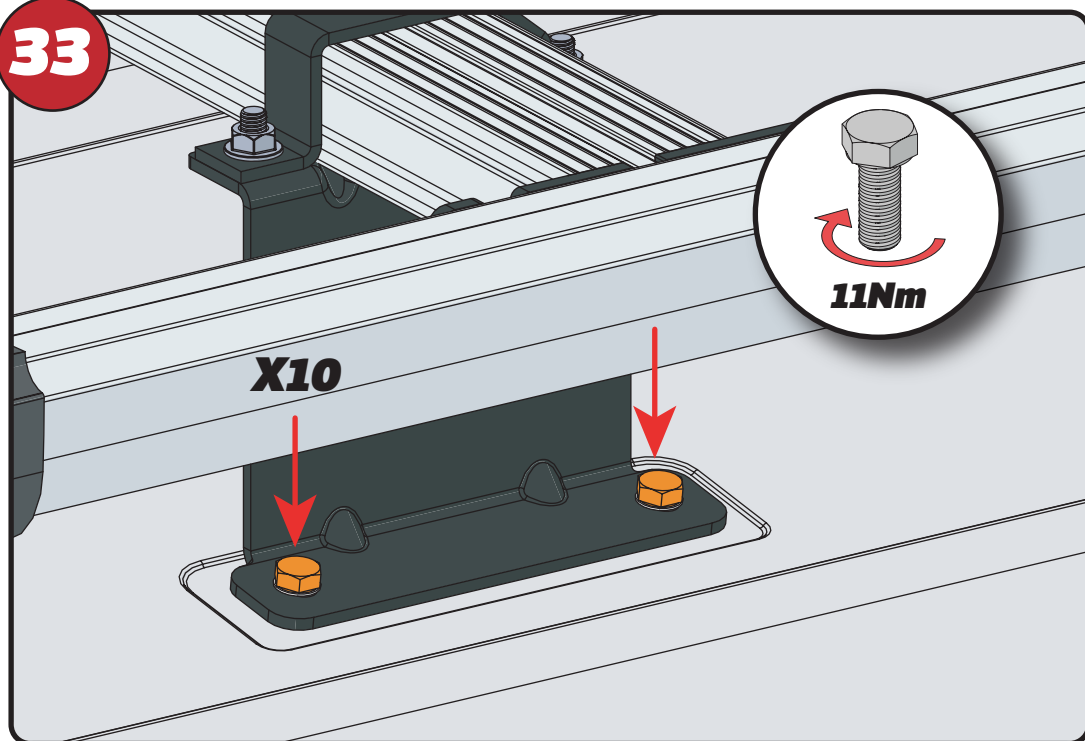
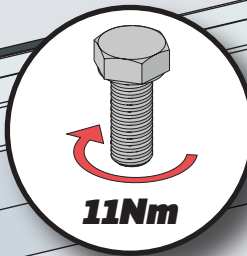
31



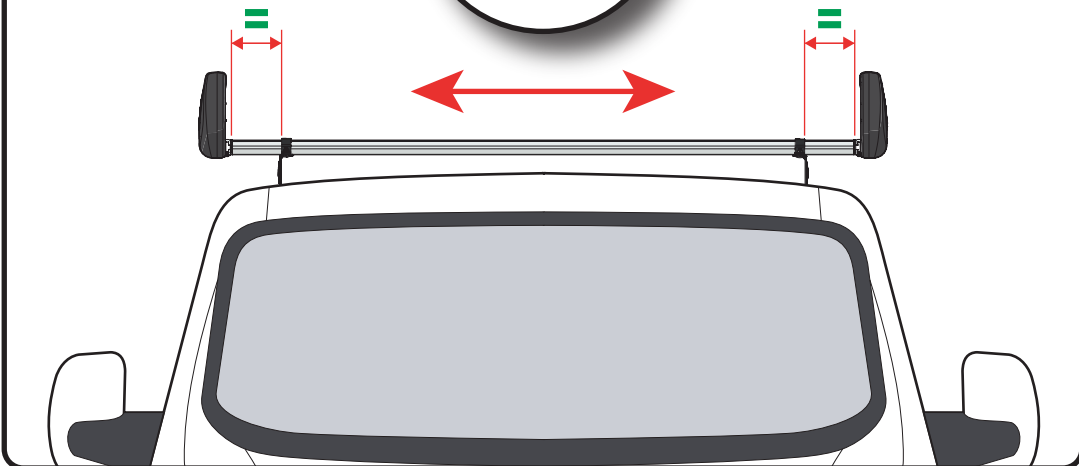
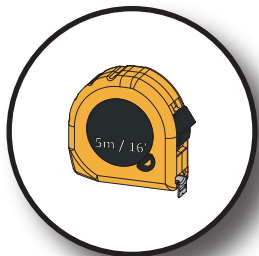
32



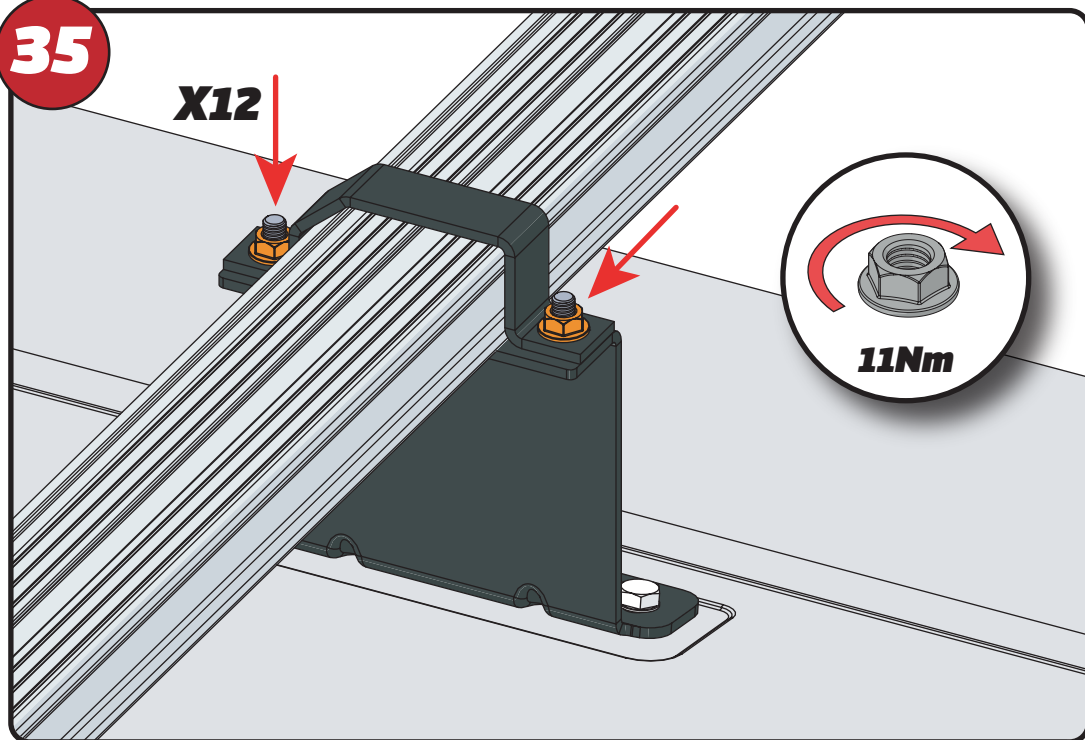
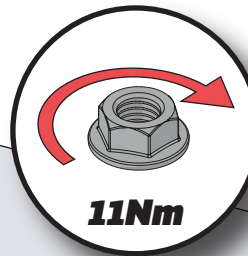
33



34



35

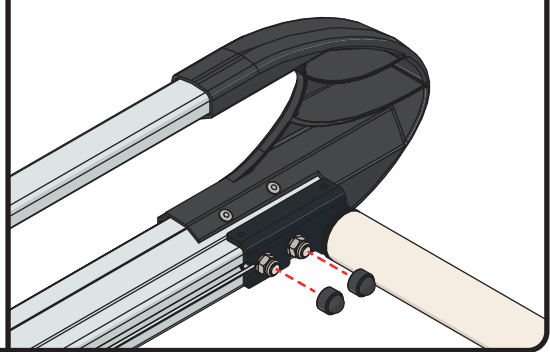
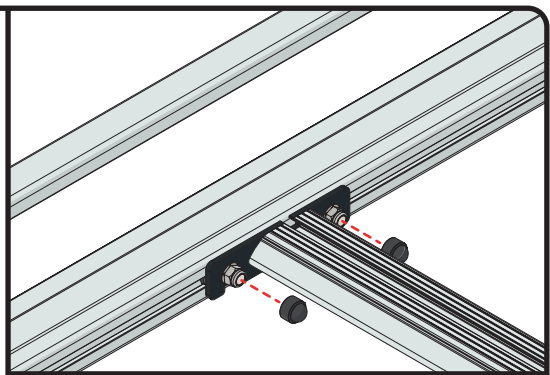


36



FX4241

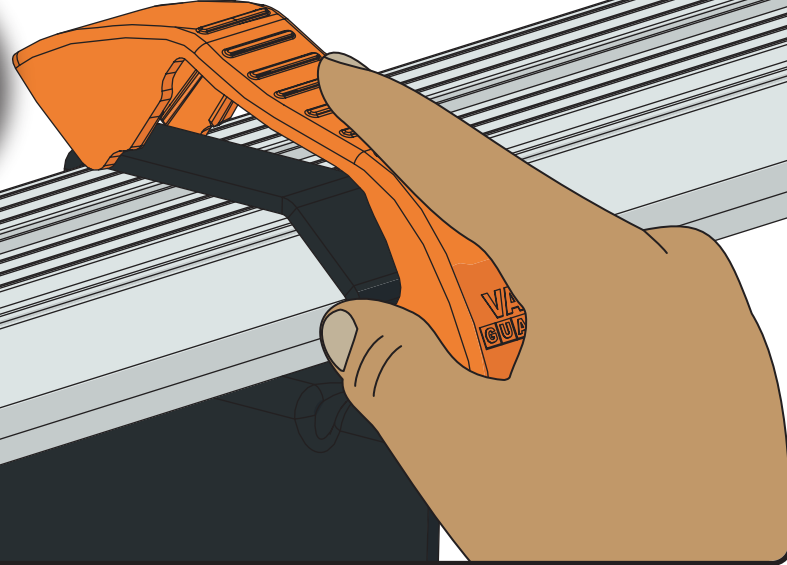
X24



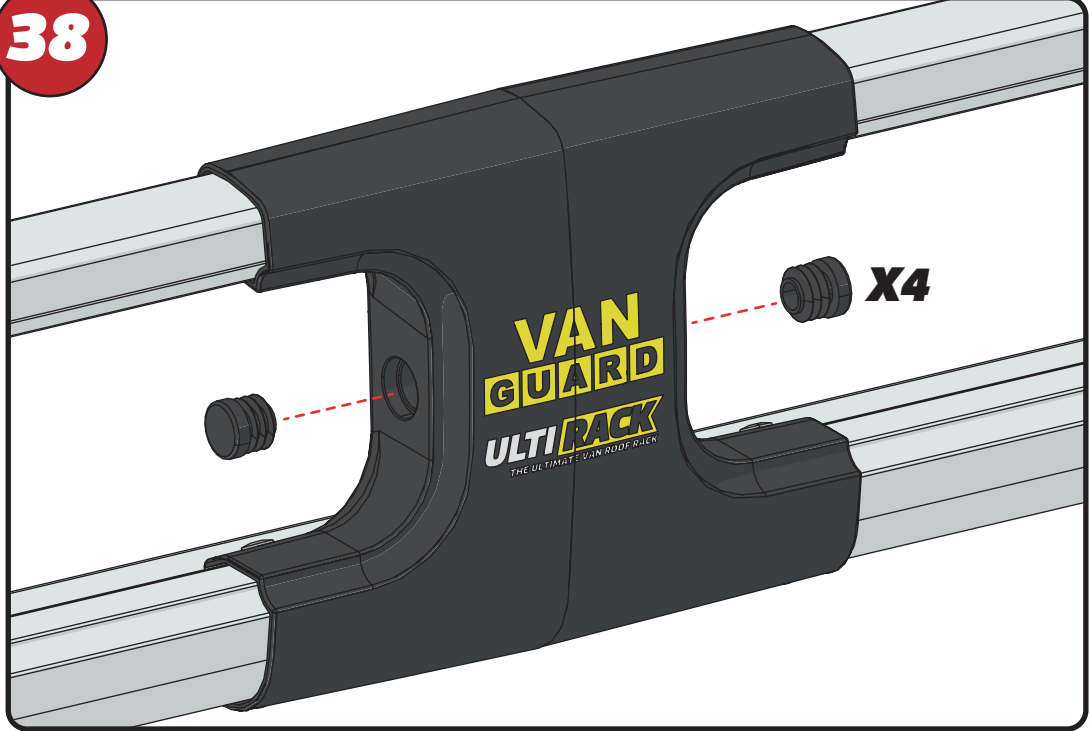
37



X6



38



X4

39

